
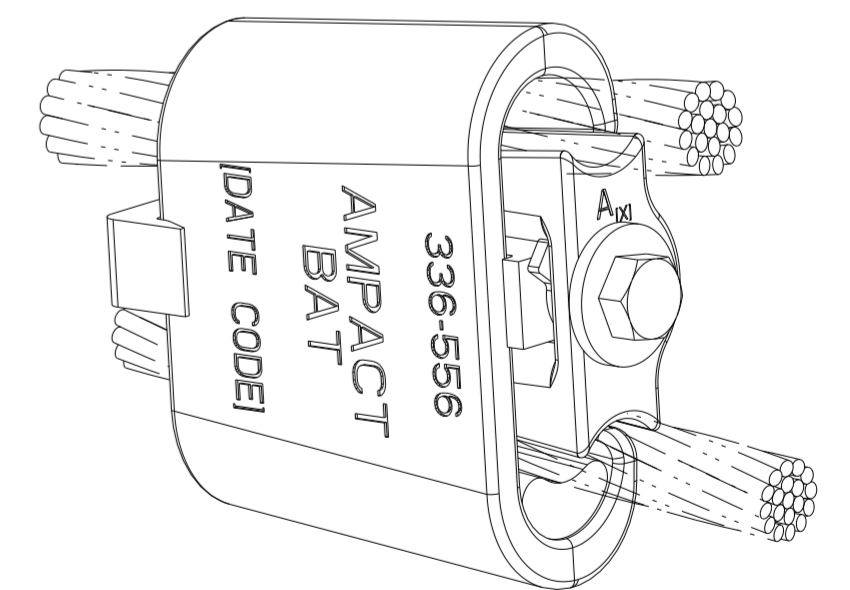
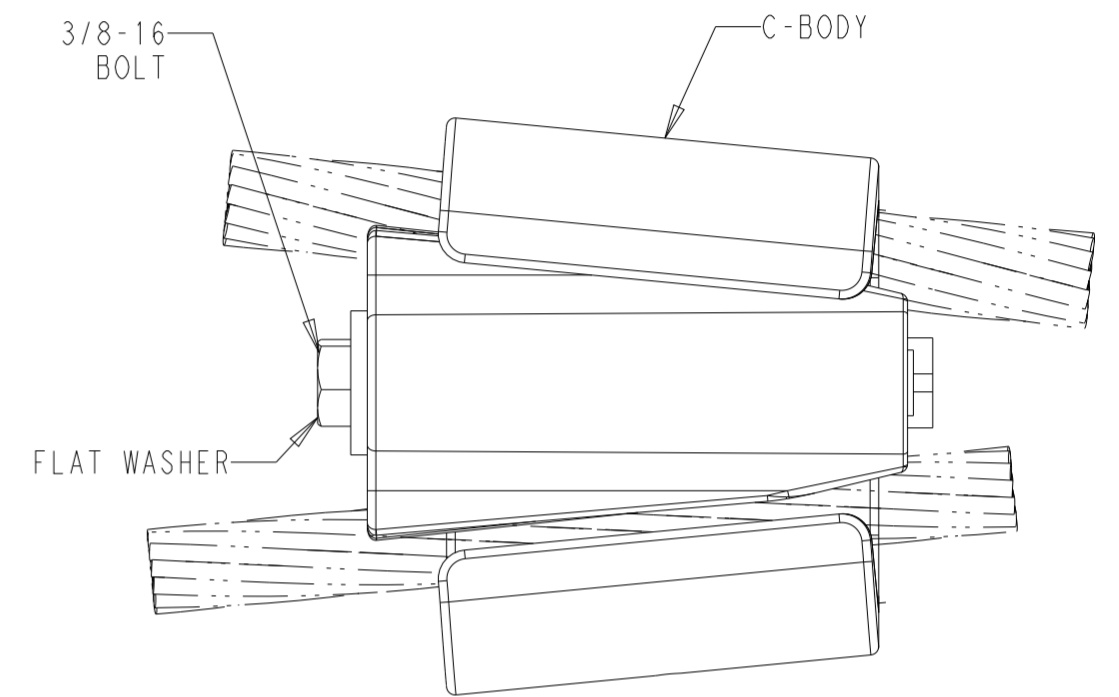
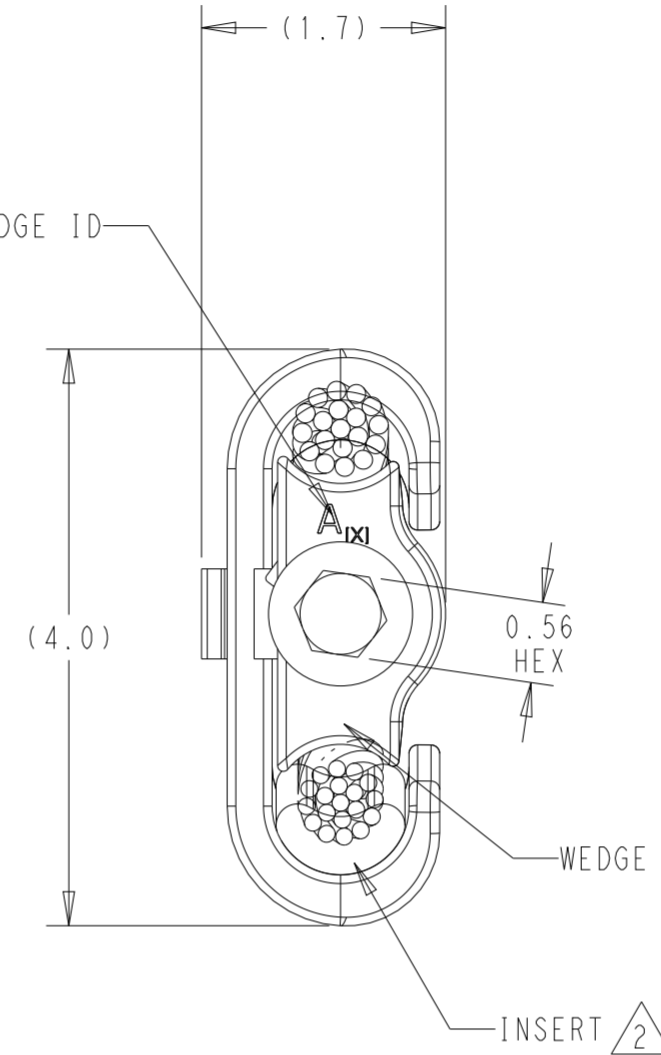
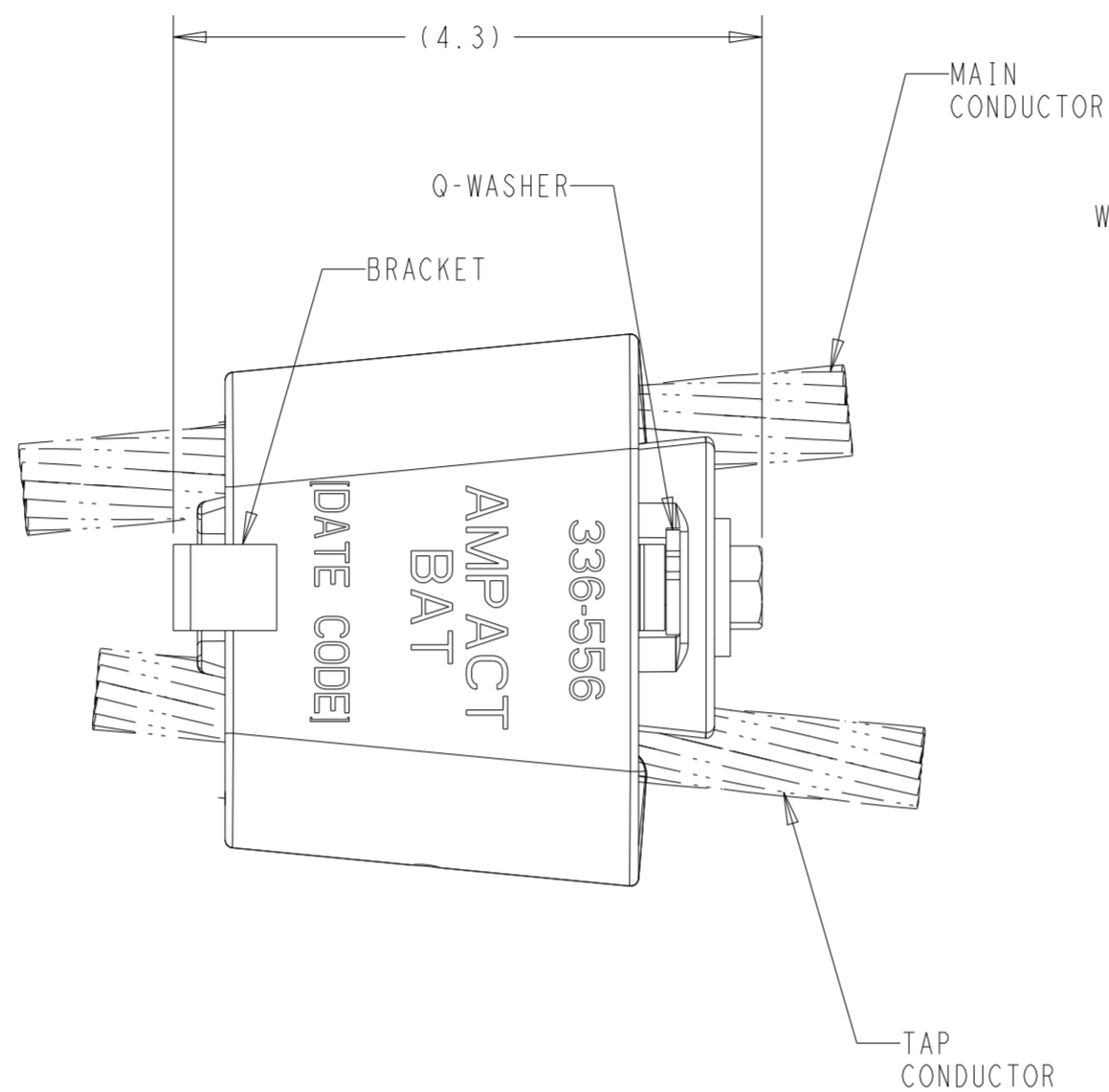


REVISIONS


P	LTR	DESCRIPTION	DATE	DWN	APVD
	A	INITIAL REL PER LC20-0045-21	30APR2021	JG	BJ

WEDGE ID	CABLE RANGE WITH INSERT 		CABLE RANGE NO INSERT		PART NO.
	TAP	MAIN	TAP	MAIN	
I	N/A		#4 266.8 #6 350	1-2376750-2	
H	N/A		#6 336.4 #2 266.8 #4 336.4 #4 350	1-2376750-1	
G	N/A		#6 397.5 1/0 266.8 #2 336.4 #2 350	1-2376750-0	
F	N/A		#4 397.5 #6 477 2/0 266.8 1/0 336.4 1/0 350	2376750-9	
E	N/A		#2 397.5 #4 477 #6 556.5 3/0 266.8 2/0 336.4 2/0 350	2376750-8	
D	N/A		1/0 397.5 #2 477 #4 556.5 4/0 266.8 3/0 336.4 3/0 350	2376750-7	
C	266.8, 250	266.8	477, 500	477	2376750-6
	4/0	336.4			
	4/0	350			
	3/0	397.5			
	2/0	477			
B	266.8, 250	336.4	477, 500	556.5	2376750-5
	4/0	397.5			
	3/0	477			
	2/0	556.5			
A	336.4, 350	336.4	556.5	556.5	2376750-4
	350	350			
	266.8, 250	397.5			
	4/0	477			
C	336.4, 350	397.5	477, 500	477	2376750-3
	266.8, 250	477			
	4/0	556.5			
B	397.5	397.5	477, 500	556.5	2376750-2
	336.4, 350	477			
	266.8, 250	556.5			
A	397.5	477	556.5	556.5	2376750-1
	336.4, 350	556.5			



1. ACCOMMODATES: SEE TABLE.
-  2. DEPENDING ON CABLE COMBINATION USED, DISCARD INSERT COMPONENT IF NOT REQUIRED

THIS DRAWING IS A CONTROLLED DOCUMENT.

DIMENSIONS: INCHES	TOLERANCES UNLESS OTHERWISE SPECIFIED: 0 PLC ± 1 PLC ± 2 PLC ± 3 PLC ± 4 PLC ± ANGLES ± FINISH -	DWN J. GUPPY 09JUL2020 CHK S. RAHMAN 07AUG2020 APVD B. JOHNSON 10AUG2020	 TE Connectivity	
MATERIAL ALUM ALLOY	PRODUCT SPEC APPLICATION SPEC	NAME TAP CONNECTOR, MEDIUM SIZE, ALUMINUM ALLOY, AMPACT BAT		
CUSTOMER DRAWING		SIZE A2	CAGE CODE 00779	DRAWING NO C-2376750
SCALE NTS		SHEET 1 OF 1		REV A